



4K 120m HDMI Extender

Model No.: LM-120H-4K



User Manual

Dear Customer

Thank you for purchasing this product. For optimum performance and safety, please read these instructions carefully before connecting, operating or adjusting this product. Please keep this manual for future reference.

1. Introduction

The Extender uses single cat5e or cat6(recommended) cables instead of HDMI cable to transmit high definition signal up to 120 meters, cutting down the cost. The Extender is designed to supply for long distance transmission of high definition signal.

2. Features

1. Support HDMI 1.4/HDCP1.4;
2. Support local loop-out;
3. Support 120m long distance transmission: CAT 5E/6 Cable (120M) HDMI Cable Loop-out;
4. Low power consumption, low temperature and high safety;
5. RX support 3.5MM left and right audio output (**Optional**);
6. Support IR control (**Optional**);

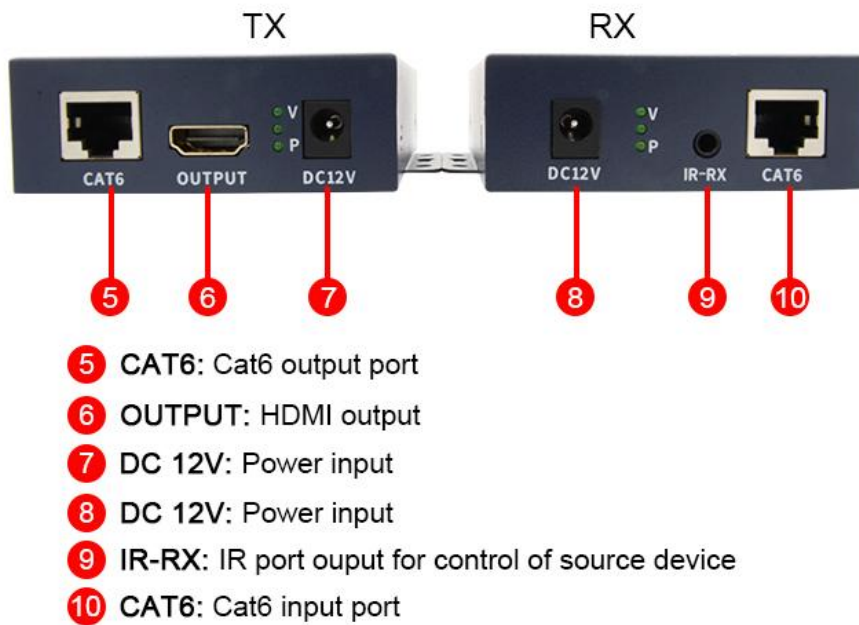
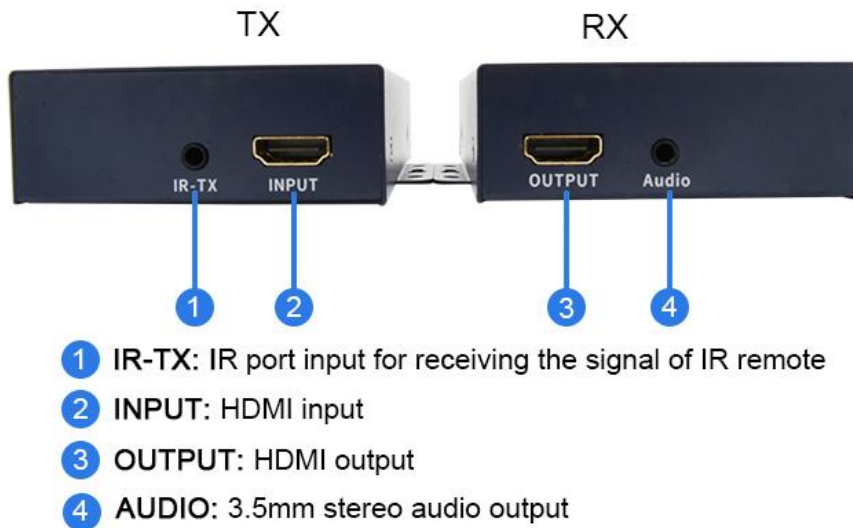
3. Specifications

SPECIFICATIONS

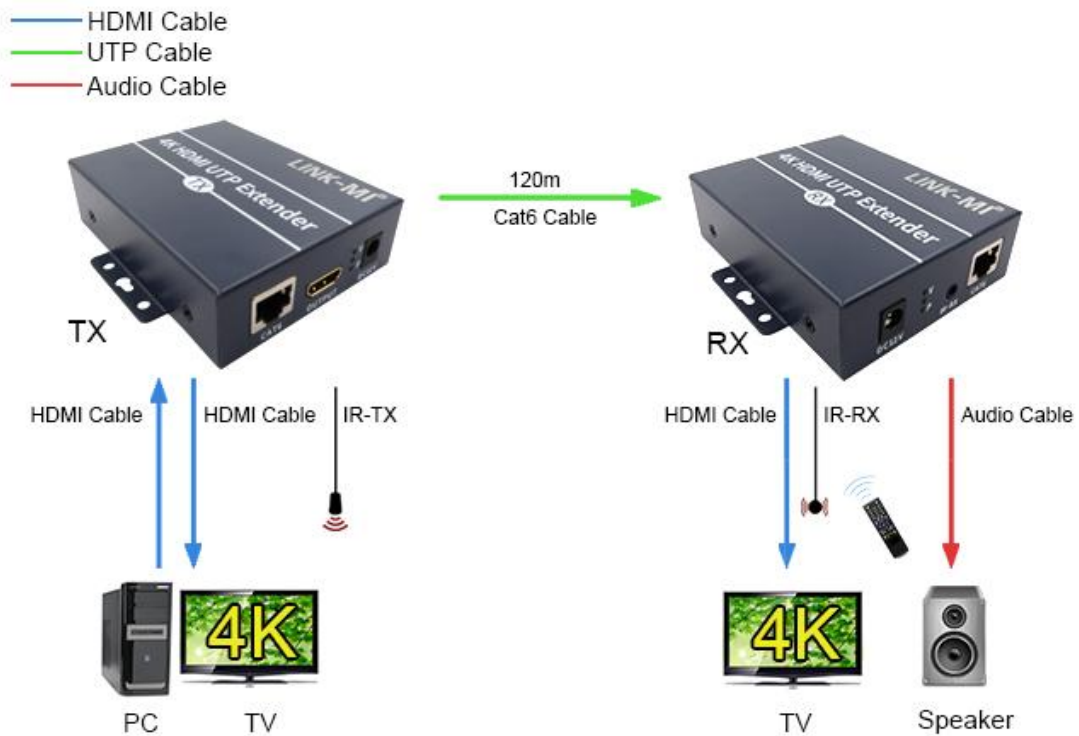
Length of CAT5e/CAT6 cable between Rx and TX	120 meters
HDMI Input	4k/1080p/720p/576p/576i/480p/480i
HDMI Output	4k/1080p/720p/576p/576i/480p/480i
Max bandwidth	340MHz
Max baud rate	3x3.4Gbps
Input HDMI cable distance	≤10m AWG26 HDMI standard cable
Output HDMI cable distance	≤10m AWG26 HDMI standard cable
TX Max working current	350mA
RX Max working current	200mA
Power adapter format	Input:AC (50HZ, 60HZ) 100V-240V; Output: DC5V/1A
Operating Temperature range	(-15 to +55°C)
Operating Humidity range	5 to 90%RH (No Condensation)
Dimension (L x W x H)	98x78x28 (mm)
TX Weight	300g
RX Weight	300g

Note: Specifications are subject to change without notice. Mass and dimensions are approximate.

4. Interfaces



5. Connection



6. Connecting and Operating

1. Connect one HDMI cable between source device and TX Extender, the max cable distance is 10 meters.
2. Connect one HDMI cable between display device and RX Extender, the max cable distance is 10 meters.
3. Connect single cat-5e or cat-6(recommended) cables instead of HDMI cables between TX and RX Extender, the max cable distance is 120 meters.
4. Connect 12V power supply to the TX and RX.
5. Plug the mouse and keyboard into the USB port of the receiver, and connect the USB port of the transmitter with the computer if you need the KVM control function. When you use touch screen function, Please connect one of the port of the receiver with the USB port of the touch screen display.

7. Package Contents

1. TX Extender 1PCS
2. RX Extender 1PCS

- 3. DC/12V1A Power adapter 2PCS
- 4. User Manual 1PCS

