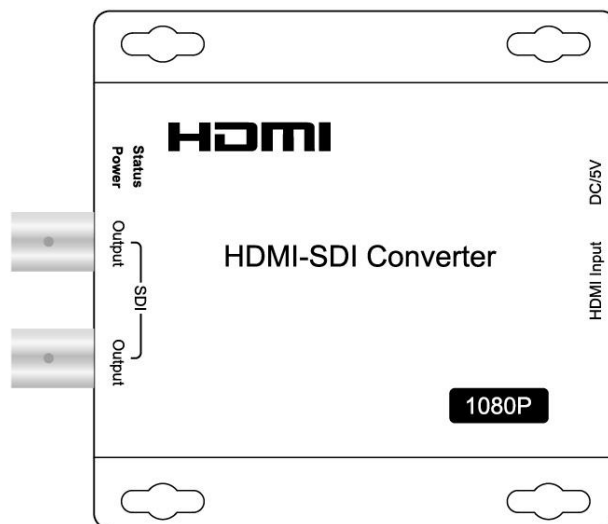


## HDMI to SDI Converter, with 2 SDI outputs

### Operating Instructions



### Dear Customer

Thank you for purchasing this product. For optimum performance and safety, please read these instructions carefully before connecting, operating or adjusting this product. Please keep this manual for future reference.

### FEATURES

- 1) Convert HDMI to SD/HD/3G-SDI.
- 2) Distributes 1 HDMI source to 2 SD/HD/3G-SDI output simultaneously.
- 3) Support HDMI input resolutions:  
1080p (50/60/59.94/30/29.97/25/24/23.98Hz)  
1080i (60/59.94/50Hz), 720p (60/59.94/50Hz), 480i (60/59.94HZ)
- 4) Work with SDI to HDMI converter to cascade many layers.
- 5) Support transmission distance up to 100m over RG59 cable.
- 6) With mounting ears

### NOTICE

Our company reserves the right to make changes in the hardware, packaging and any accompanying documentation without prior written notice.

**TABLE OF CONTENTS**

- Specifications**
- Package Contents**
- Panel Descriptions**
- Connecting and Operating**
- Maintenance**
- Product service**
- Warranty**

**SPECIFICATIONS**

Operating Temperature Range	-5 to +35°C(+23 to +95°F)
Operating Humidity Range	5 to 90%RH (No Condensation)
Resolutions Support	1080p (50/60/59.94/30/29.97/25/24/23.98Hz) 1080i (60/59.94/50Hz), 720p (60/59.94/50Hz) 480i (60/59.94Hz)
SDI Standard	3G -SDI/HD-SDI/SDI
Input	1x HDMI (Standard Type A connector)
Output	2x SDI(BNC)
Power consumption	2.5watts(Maximum)
Dimension (L×W×H)	95x95x29mm
Net Weight	245g

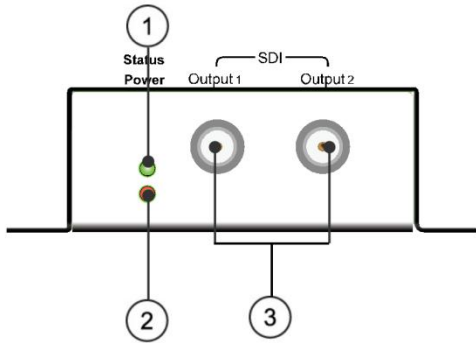
**Note: Specifications are subject to change without notice. Mass and dimensions are approximate.**

**PACKING CONTENTS**

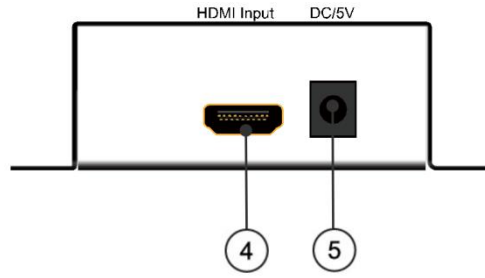
- 1) Main Unit. HDMI -SDI converter
- 2) DC5V 1A Power Supply.
- 3) Operating Instructions

## PANEL DESCRIPTIONS

### Input Panel



### Output Panel

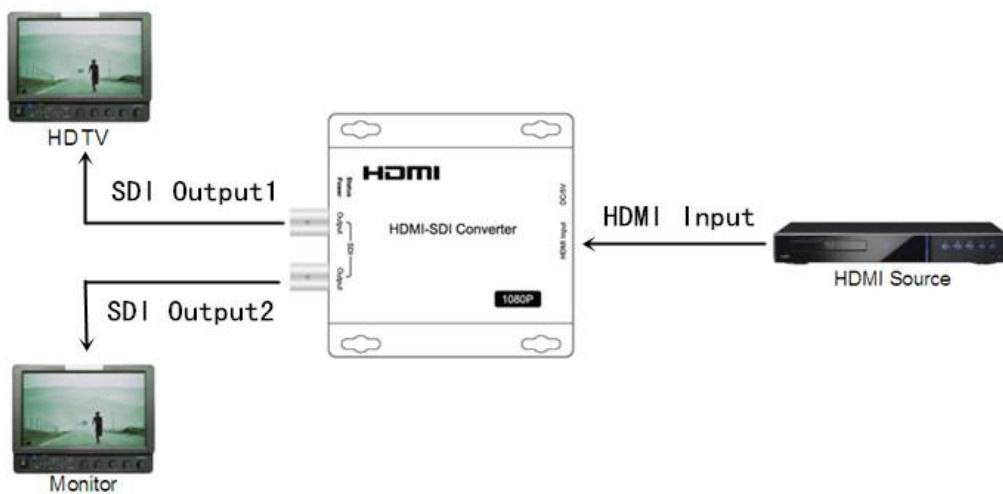


- 1) Indicator of SDI Output
- 2) Indicator of power Input
- 3) SDI/HD-SDI Output port
- 4) HDMI input port
- 5) Power input

### Connecting and Operating

- 1.Ensure the Converter is disconnected from power.
  - 2.Connect source to the HDMI input and sink to SDI output .
  - 3.Connect 5VDC power to the converter.
- Attention: Insert/Extract cable gently

### Typical Application



## **MAINTENANCE**

Clean this unit with a soft, dry cloth. Never use alcohol, paint thinner or benzene to clean this unit.

## **PRODUCT SERVICE**

- 1) **Damage requiring service:** The unit should be serviced by qualified service personnel if:
  - (a) The DC power supply cord or AC adaptor has been damaged;
  - (b) Objects or liquids have gotten into the unit;
  - (c) The unit has been exposed to rain;
  - (d) The unit does not operate normally or exhibits a marked change in performance;
  - (e) The unit has been dropped or the cabinet damaged.
- 7) **Servicing Personnel:** Do not attempt to service the unit beyond that described in these operating instructions. Refer all other servicing to authorized servicing personnel.
- 8) **Replacement parts:** When parts need replacing ensure the servicer uses parts specified by the manufacturer or parts that have the same characteristics as the original parts. Unauthorized substitutes may result in fire, electric shock, or other hazards.
- 4) **Safety check:** After repairs or service, ask the servicer to perform safety checks to confirm that the unit is in proper working condition.

## **WARRANTY**

If your product does not work properly because of a defect in materials or workmanship, our Company (referred to as "the warrantor" ) will, for the length of the period indicated as below, **(Parts(2)Year, Labor(90) Days)** which starts with the date of original purchase ("Limited Warranty period"), at its option either (a) repair your product with new or refurbished parts, or (b) replace it with a new or a refurbished product. The decision to repair or replace will be made by the warrantor.

During the "Labor" Limited Warranty period there will be no charge for labor. During the "Parts" warranty period, there will be no charge for parts. You must mail-in your product during the warranty period. This Limited Warranty is extended only to the original purchaser and only covers product purchased as new. A purchase receipt or other proof of original purchase date is required for Limited Warranty service.

## **MAIL-IN SERVICE**

When shipping the unit carefully pack and send it prepaid, adequately insured and preferably in the original carton. Include a letter detailing the complaint and provide a day time phone and/or email address where you can be reached.